



**COMMERCIAL VEHICLE AUCTIONS LTD**  
THE UK'S MOST ESTABLISHED COMMERCIAL VEHICLE AUCTIONEERS

Carr Hill Industrial Estate  
Doncaster  
DN4 8DE

01302 732600 | cva.noreply@cva-auctions.co.uk

# VEHICLE INSPECTION REPORT

**WJ64WKC**

## Land Rover Defender 2.2 TDCI 110PS

Inspection		Vehicle	
Serious Damage?	No	VAT	Plus VAT
		V5	Buyer To Apply

Details					
Reg. date	11/09/2014	GVW	3050kg	MOT Due	Expired
Year	2014	Colour	WHITE	Gearbox	MANUAL
Mileage	46,262 Miles Warranted	VIN	SALLDHTP7FA457703	Gears	6
Fuel Type	Diesel	Body Style	Access Platform	Axle Combi	4x4

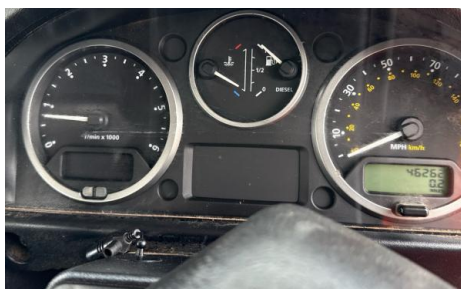
\*HEAVY CLUTCH, WARNING LIGHTS ON DASH\* CPL SOGAGE A314 PLATFORM, WINCH, V5 NEW KEEPER DOCUMENT REFERENCE NUMBER AVAILABLE FOR TAXATION PURPOSES

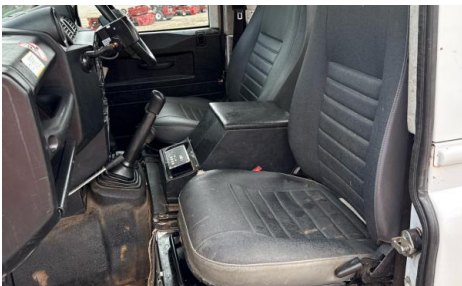
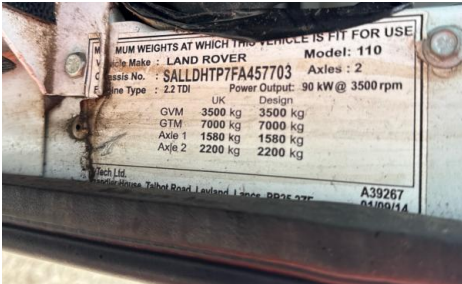
Tyres
NSF
NSR
OSF
OSR
Spare

## Features

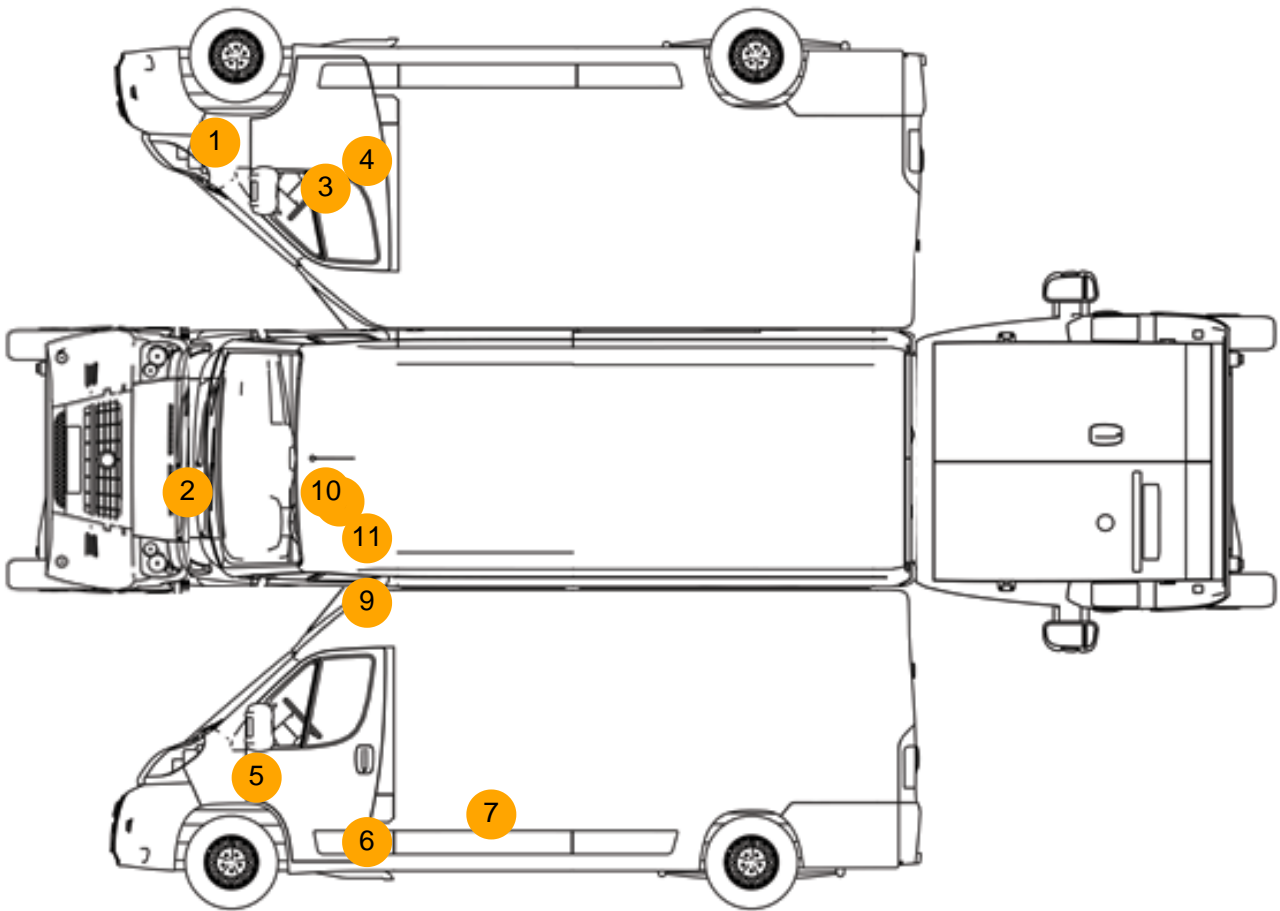
- Park assist camera
- Front electric windows

## Photos





## Condition Check



## Damage Photos



1: Wing of  
Dented  
With Paint Damage



2: Bonnet  
Dented  
With Paint Damage



3: Door osf  
Dented  
With Paint Damage

4: Door Moulding osf  
Scratched (Painted)  
Over 25mm Thru Paint



5: Wing nsf  
Scratched  
Over 25mm Thru Paint

6: Door nsf  
Scratched  
UpTo 25mm Thru Paint



7: Qtr Panel nsr  
Dented  
With Paint Damage

8: Roof  
Scratched  
UpTo 25mm Thru Paint



9: Roof  
 Scratched  
 UpTo 25mm Thru Paint

10: Roof  
 Dented  
 Over 2 UpTo 10mm



11: Roof  
 Dented  
 Between 10mm + 30mm

12: Roof  
 Dented  
 Over 2 UpTo 10mm

**Interior**

**Carpet Condition**  
**Seat Condition**

Average  
 Poor

**Upholstery Condition**  
**Odour**

Average  
 No

EML light illuminated Fault